

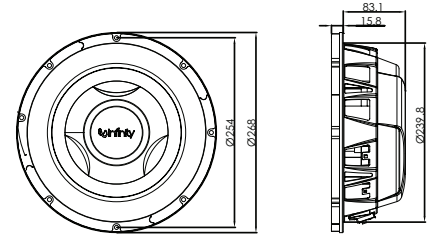
# REFERENCE 1000s 10" WOOFER – TECHNICAL DATA



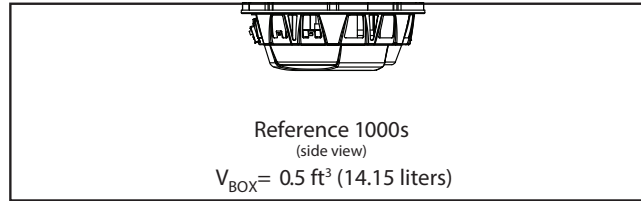
THIELE-SMALL PARAMETERS		2Ω	4Ω
VOICE-COIL DC RESISTANCE:	$R_{EVC}$ (OHMS)	1.80	4.09
VOICE-COIL INDUCTANCE @ 1kHz:	$L_{EVC}$ (MH)	0.65	0.72
DRIVER RADIATING AREA:	$S_D$ (IN <sup>2</sup> )	54.72	54.72
	$S_D$ (CM <sup>2</sup> )	353.00	353.00
MOTOR FORCE FACTOR:	$BL$ (TM)	9.05	12.97
	$V_{AS}$ (FT <sup>3</sup> )	1.20	1.18
COMPLIANCE VOLUME:	$V_{AS}$ (LITERS)	34.03	33.47
	$C_{MS}$ (μM/N)	194.00	191.00
MOVING MASS, AIR LOAD:	$M_{MS}$ (GRAMS)	145.01	145.64
FREE-AIR RESONANCE:	$F_S$ (HZ)	29.97	30.16
MECHANICAL Q:	$Q_{MS}$	8.64	4.52
	$Q_{ES}$	0.62	0.69
ELECTRICAL Q:	$Q_{TS}$	0.57	0.59
	$H_{AG}$ (IN)	0.31	0.31
MAGNETIC-GAP HEIGHT:	$H_{AG}$ (MM)	8.00	8.00
	$H_{VC}$ (IN)	0.92	0.92
VOICE-COIL HEIGHT:	$H_{VC}$ (MM)	23.30	23.30
	$X_{MAX}$ (IN)	0.30	0.30
MAXIMUM EXCURSION:	$X_{MAX}$ (MM)	7.65	7.65

## SPECIFICATIONS

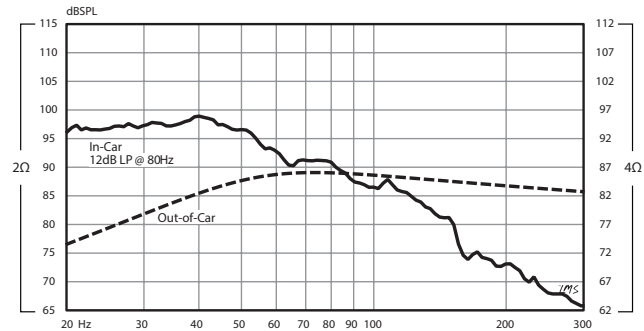
DIAMETER:	10" (254MM)
SENSITIVITY (2.83V @ 1m):	89dB
POWER HANDLING:	200W <sub>RMS</sub> (800W <sub>PEAK</sub> )
FREQUENCY RESPONSE:	35Hz ~ 175Hz
NOMINAL IMPEDACE:	2 OR 4 OHMS
VOICE-COIL DIAMETER:	2" (51MM)
DIMENSIONS:	



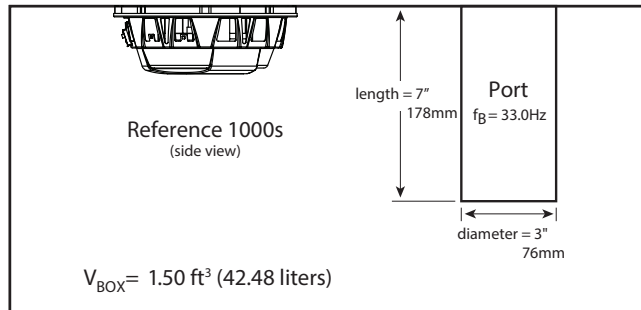
## SEALED-BOX VOLUME (INCLUDES DRIVER DISPLACEMENT)



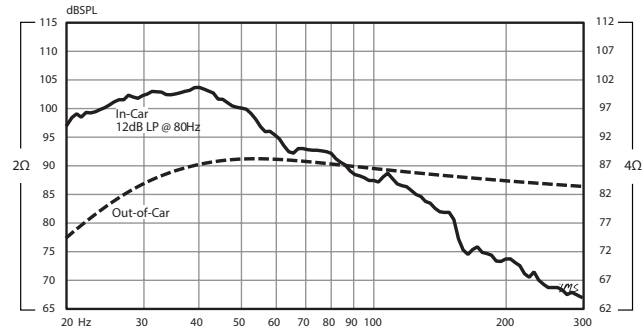
## SEALED ENCLOSURE (FREQUENCY RESPONSE @ 2.83V)



## VENTED-BOX VOLUME (INCLUDES DRIVER/PORT DISPLACEMENTS)



## VENTED ENCLOSURE (FREQUENCY RESPONSE @ 2.83V)



## BAND-PASS-BOX VOLUME (INCLUDES DRIVER/PORT DISPLACEMENTS) BAND-PASS ENCLOSURE (FREQUENCY RESPONSE @ 2.83V)

